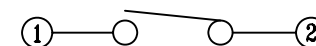
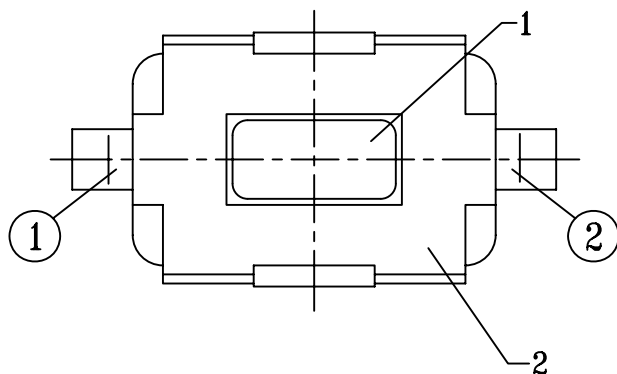
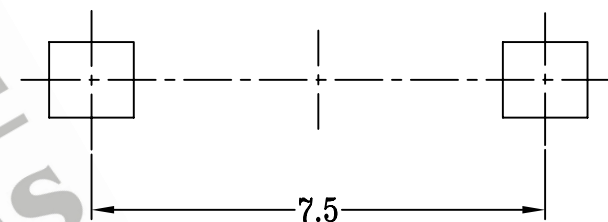


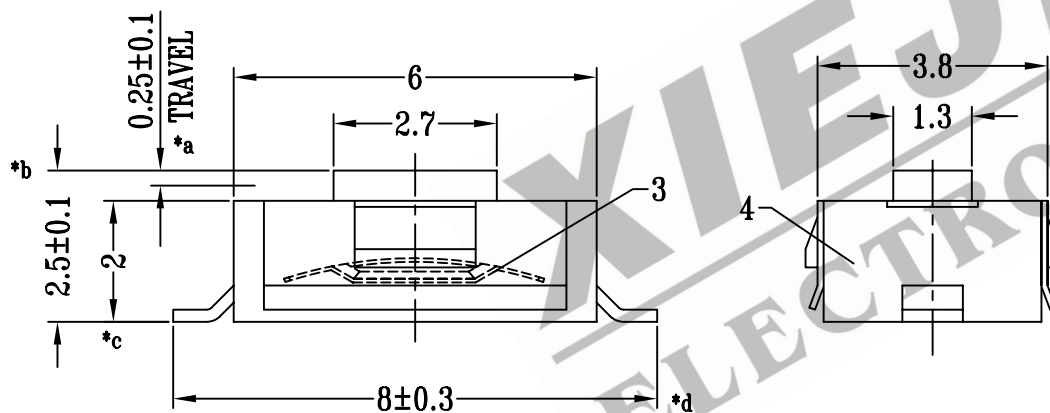
CAD FILE:



CIRCUIT DIAGRAM



P.C.B LAYOUT



OPERATING FORCE	CODE
180gf	Y
250gf	Z
350gf	N
500gf	R

注:带"*"表示关键尺寸(4个)

NO.	PART NAME	MATERIAL	QTY	FINISHING	TOLERANCE UNLESS SPECIFIED	SHENZHEN XIEJIA ELECTRONICS CO.,LTD.			
8					WITHIN: 1.5±0.1mm OVER: 1.5±0.2mm	ISSUE	DATE	DESCRIPTIONS	APPD
7						TITLE: TACT SWITCH	UNIT : MM	DRWG NO.: XJ-DR-TD11XA-00	
6					MODEL: TD-11XA	SCALE: 1 : 1	DWN	ZHOUYU	2003-11-16
5							CHK'D	FANGYING	2003-11-16
4	CASE	NYLON/6# BRASS STRIP	1	BLACK/Ag PLATED	ALL MATERIALS MUST BE COMPLIANT TO ROHS	APPD	KANGXINAN	2003-11-16	
3	CONTACT	SEE CONTACT CHART	1	Ag CLAD					
2	COVER	0.1mm SUS	1	WASHING					
1	KNOB	NYLON	1	RED					